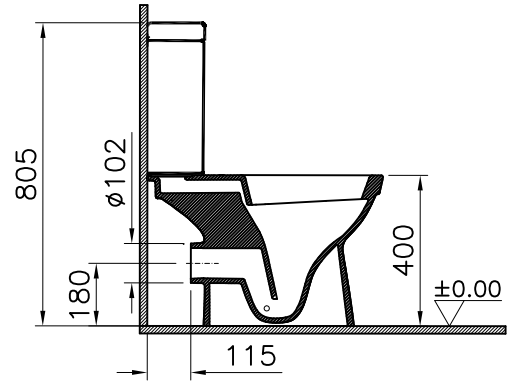
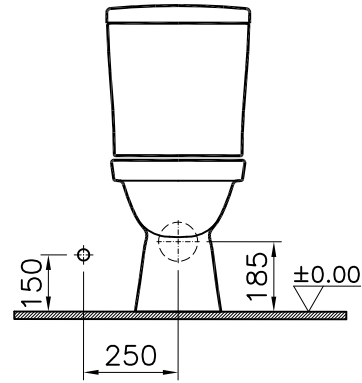
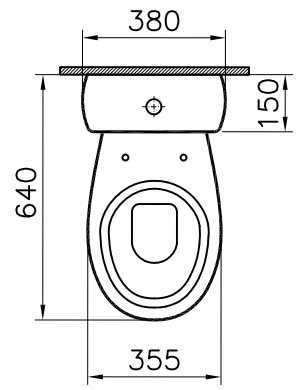


Theoretic Mass(kg)	Revision
Surface Area(dm ²)	A4

Thread	Hole	Shaft



Standart baglanti
Standard connection
Standard Verbindung

2	1	Cistern	5932-0107	Ceramic	
1	1	Close-coupled WC pan	5820-0075	Ceramic	
item	Quantity	Part Name	Drawing No	Material	Material Class
		Series	Material	Material Class	
		NORMUS	Close-coupled WC pan		
Drawn By	Controlled By	Approved By	Date	Drawing No	Scale
G.GULTER	N.BALTACI	H.TURKOZ	09.03.2016	5820+5932	1/20

R.S	Description	Date	NAME

This drawing can only be used for the intended purposes. Unauthorized copying is strictly prohibited.

